

Ultra Compact 2-channel UHF/LTE 450 MHz Tx/Rx Combiner

DESCRIPTION

- An integrated single tray combining solution housing a 2-channel Tx hybrid combiner, duplex filter, active 2-channel Rx multicouplers and preselector.
- Minimal 19" rack space required - only 2 HU in a 19" rack.
- Built-in power supply suitable for 115/230 VAC.
- Compatible with digital 6.25 kHz channel spacing.
- Single Tx isolators fitted as standard.
- Please specify all Tx/Rx frequencies when ordering.

- Please Note:
Power cable is not included, must be ordered separately, see Accessories.

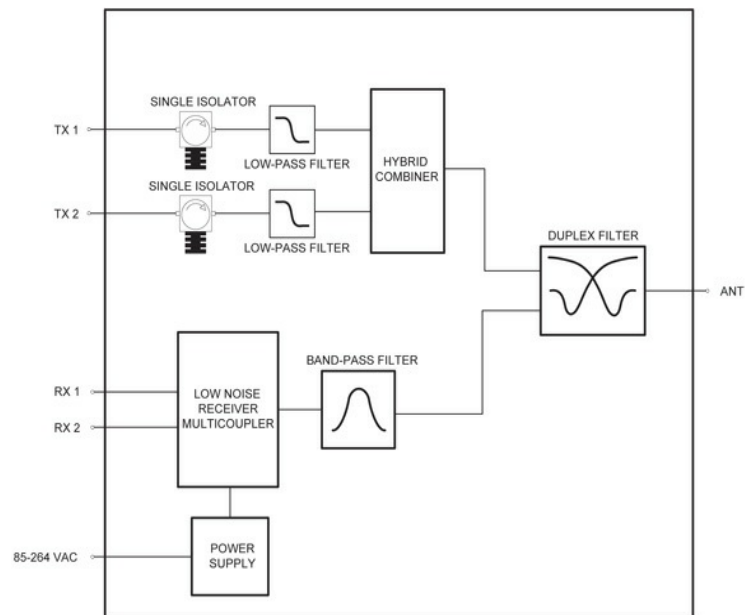


SPECIFICATIONS

| Electrical | |
|-------------------|--|
| Model | PRO-HDAR450-2SI |
| Frequency | L : 380 - 400 MHz H : 406 - 470 MHz |
| Max. Input Power | 50 W (per channel) |
| Spacing Tx-Rx | ≥ 5 MHz |
| Spacing Tx-Tx | ≤ 2 MHz |
| Isolation Tx - Rx | > 85 dB for Tx - Tx spacing < 0.5 MHz > 65 dB for Tx - Tx spacing > 0.5 MHz |
| Insertion Loss | ≤ 5.4 dB |
| Impedance | 50 Ω |
| Ant-Tx Isolation | > 40 dB @ 25 °C |
| Isolation Rx-Rx | > 20 dB |
| Isolation Tx-Tx | > 70 dB @ 25 °C |
| VSWR | ≤ 1.5:1 |
| LNA Noise Figure | < 3.5 dB |
| Gain Rx | 1 dB ±1 dB (factory set) |
| No. of channels | 2 |
| Mechanical | |
| Connection(s) | N(f) |
| Dimensions | 19" x 2 HU 483 x 89.9 mm 19.02 x 3.54 in. - see drawing for depth of tray |
| Weight | Approx. 7.6 kg / 16.76 lb. |

| Environmental | |
|---------------------------|--|
| Storage temperature range | -30 °C to +60 °C |
| Power Supply | |
| Voltage | 85 - 264 V AC |
| Frequency | 47 - 63 Hz |
| AC current (typ.) | 0.35 A / 115 V AC 0.25 A / 230 V AC |

BLOCK DIAGRAM



ORDERING DESIGNATIONS

CONTACT FOR SYSTEM-SPECIFIC PRODUCT NO.

Use the guide below to make the name of the PRO-HDAR450-2SI you would like to buy. Remember to buy the Power Adaptor separately if needed.

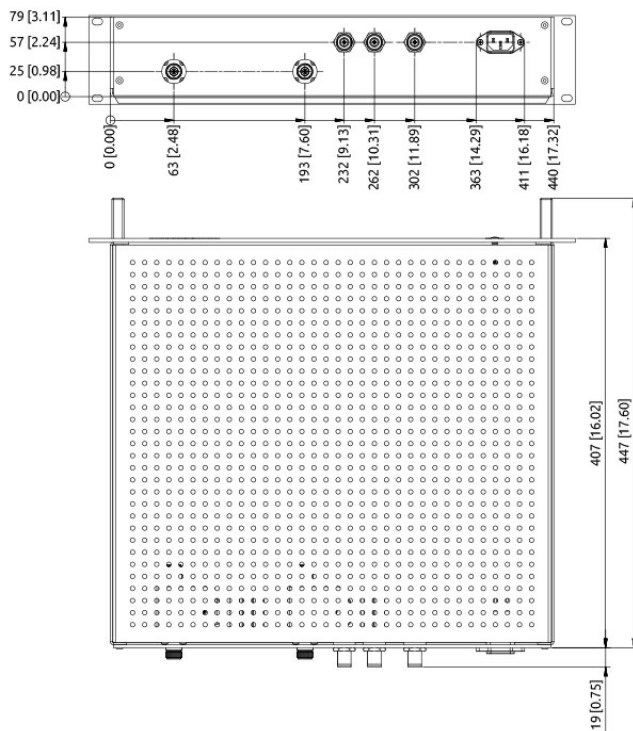
| Model | Duplex Filter Freq. Band | Pre-selector Rx Freq. Band | Duplex filter Bandwidth (BW) and Tx/Rx Spacing | Max. input power |
|-----------------------|---|--|---|------------------|
| PRO-HDAR450-2SI | Low : 340 - 400 MHz = L High : 406 - 470 MHz = H | 380 - 440 MHz = L 430 - 470 MHz = H | 2-5/7-2 * 2-7/9-2 2-9/13-2 2-13/16-2 * Max. Low BW: 2 MHz- Tx/Rx spacing: 5 to 7 MHz - Max. High BW: 2 MHz = 2-5/7-2 | 50 W per channel |
| Naming Example | | | | |
| PRO-HDAR450-2SI | H | H | /2-5/7-2 | /50W |

Naming Example: PRO-HDAR450-2SI HH/2-5/7-2/50W

ACCESSORIES

| Model | Product No. |
|------------------------------|-------------|
| Power Cable EU , with Ground | 210002646 |
| Power Cable UK , with Ground | 210002647 |
| Power Cable US , with Ground | 210002648 |

MOUNTING DETAILS



All dimensions are given in mm [in.]

EU AND UK DECLARATION OF CONFORMITY

Hereby Amphenol Procom declare that the product type PRO-HDAR450-2SI is in compliance with EU Directive 2014/53/EU and the UK Radio Equipment Regulations 2017 (S.I. 2017 No. 1206).
The full text of the Declaration of Conformity is available at:

<https://amphenolprocom.com/images/shop/catalog/pdf-for-catalogues/Declaration-of-Conformity-PRO-HDAR450.pdf>

